

File No.:

Product Specification

Customer: _____

Specifications: CCT changeable led panel

Code: CPS-Y3S06-P18、CPS-Y4S12-P18

CPS-Y5S16-P18、CPS-Y8S20-P18

CPS-F3S06-P18、CPS-F4S12-P18

CPS-F5S16-P18、CPS-F8S20-P18

Version: V1.0

Approved	Checked		Approved
	Structural engineer	Electronic engineer	
丁立源 2017-11-10	丁立源 2017-11-10		

Content

- 1. Product Features**
- 2. Product Photo & Size**
- 3. Electrical Parameters**
- 4. Optical Parameters**
- 5. Product Technical Standards**
- 6. Installation & Connection**
- 7. Packaging**
- 8. Attention**

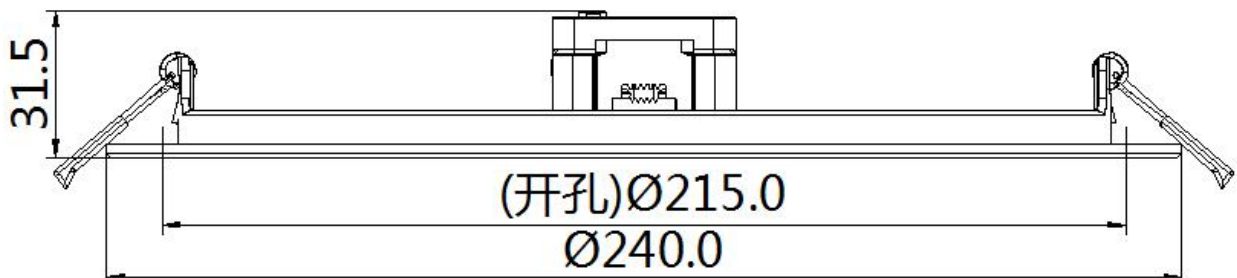
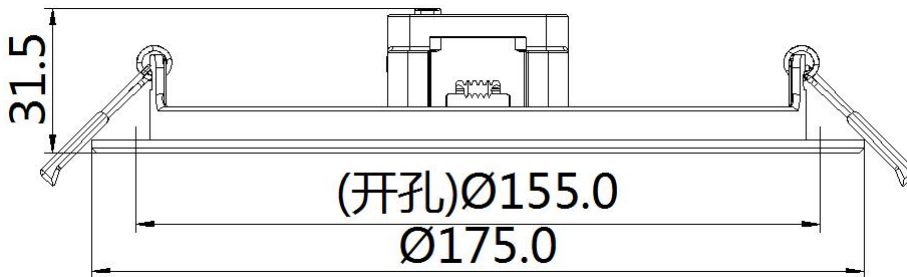
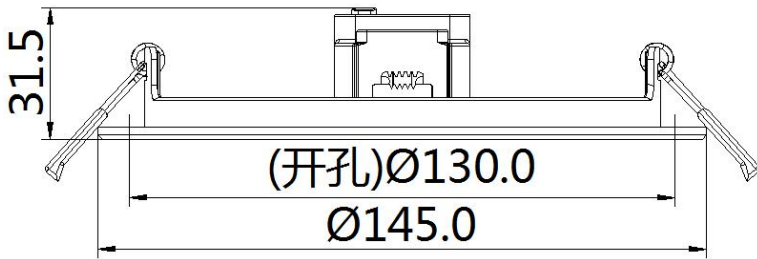
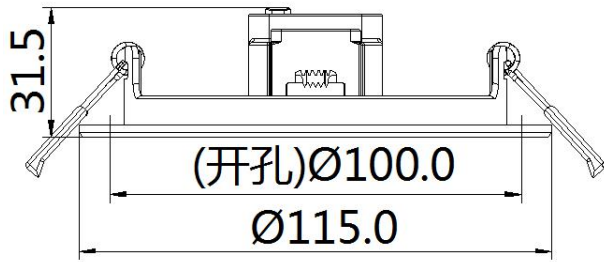
1. Product Features

- Removable driver, stylish appearance;
- CCT changing before installation, saving your stocks
- High efficiency and energy saving
- Long design light span more than 20,000 hours
- Tendering light and Flicker-free

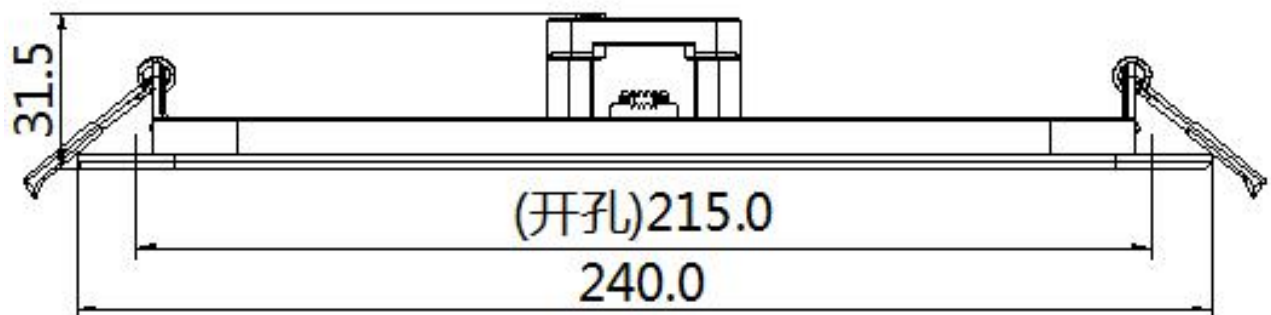
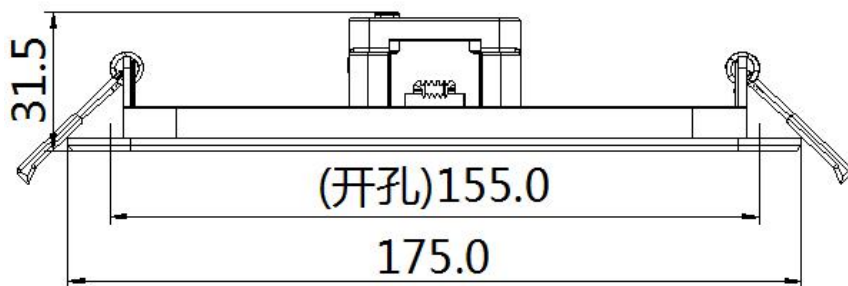
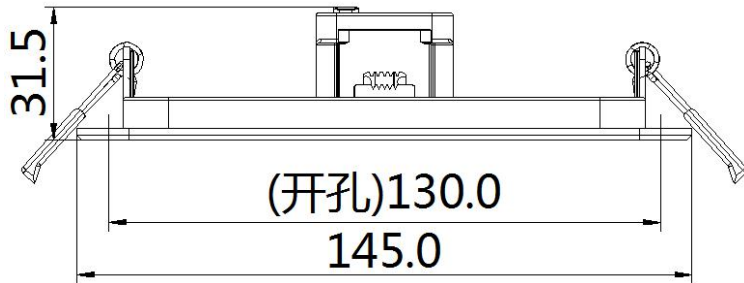
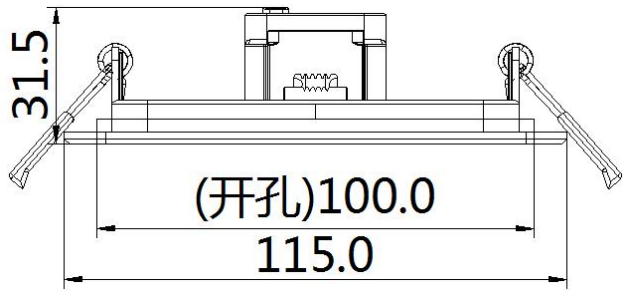
2. Product photo & Size



Round version:



Square version:

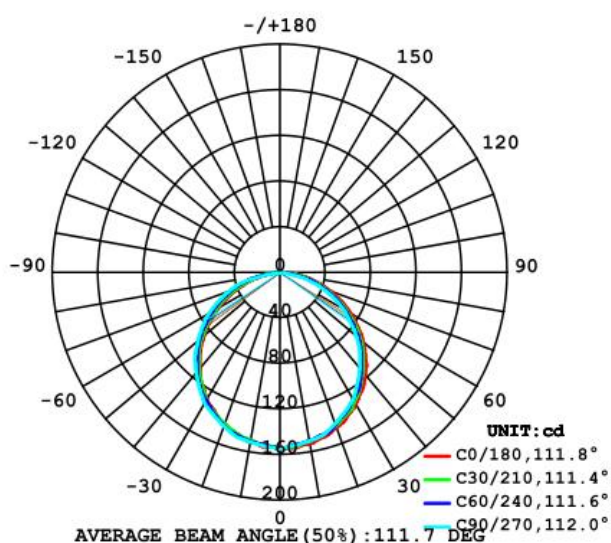


3. Electrical Parameters

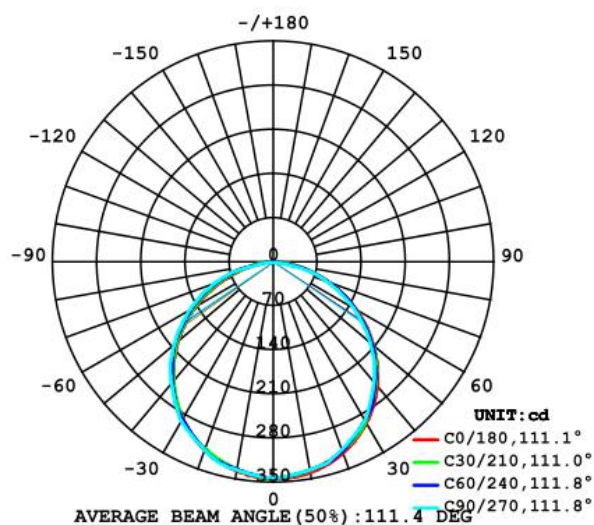
Electrical Parameters							
No.	Model No.	Input Volt (V)	Input Current (A)	Rated Power (W)	PF	Driver Efficiency	THD
1	CPS-Y3S06-P18	100-240V	≤0.06	6W±10%	> 0.9	0.87%	< 25
2	CPS-Y4S12-P18	100-240V	≤0.12	12W±10%	> 0.9	0.87%	< 25
3	CPS-Y5S16-P18	100-240V	≤0.16	16W±10%	> 0.9	0.87%	< 25
4	CPS-Y8S20-P18	100-240V	≤0.2	20W±10%	> 0.9	0.87%	< 25
5	CPS-F3S06-P18	100-240V	≤0.06	6W±10%	> 0.9	0.87%	< 25
6	CPS-F4S12-P18	100-240V	≤0.12	12W±10%	> 0.9	0.87%	< 25
7	CPS-F5S16-P18	100-240V	≤0.16	16W±10%	> 0.9	0.87%	< 25
8	CPS-F8S20-P18	100-240V	≤0.2	20W±10%	> 0.9	0.87%	< 25
Note	Cert	<input type="checkbox"/> No cert <input checked="" type="checkbox"/> Comply <u>CE</u> <input type="checkbox"/> Other Approved					
	Functions	<input type="checkbox"/> Normal functions					
		<input type="checkbox"/> Dimming <input type="checkbox"/> Triac dimming <input type="checkbox"/> 0/1-10V <input type="checkbox"/> DALI <input type="checkbox"/> Other_____					
		<input checked="" type="checkbox"/> Other functions <u>CCT Changeable by switch control</u>					
Remarks: All above parameter are the regular data of normal version,part of data may be little varied with functions.							

4. Optical Parameters

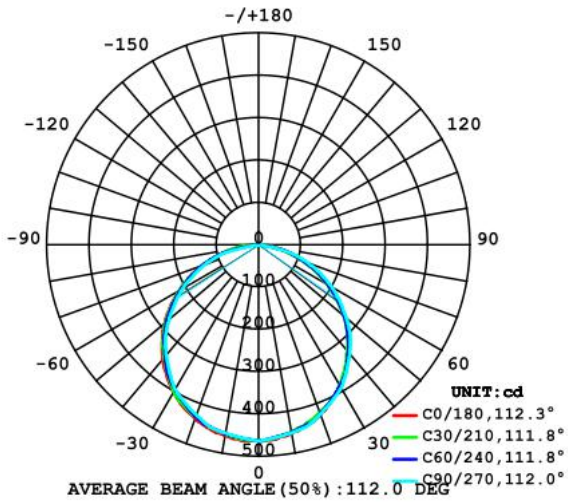
No.	Model No.	LED	CCT	CRI	Luminous Flux	Light Efficacy	Beam Angle
1	CPS-Y3S06-P18	SMD2835 (60)	3000/4000/5000K	> 80	330lm	60lm/w	120
2	CPS-Y4S12-P18	SMD2835 (80)	3000/4000/5000K	> 80	780lm	75 lm/w	120
3	CPS-Y5S16-P18	SMD2835 (96)	3000/4000/5000K	> 80	1120lm	75 lm/w	120
4	CPS-Y8S20-P18	SMD2835 (104)	3000/4000/5000K	> 80	1700lm	85 lm/w	120
5	CPS-F3S06-P18	SMD2835 (60)	3000/4000/5000K	> 80	330lm	60lm/w	120
6	CPS-F4S12-P18	SMD2835 (80)	3000/4000/5000K	> 80	780lm	75 lm/w	120
7	CPS-F5S16-P18	SMD2835 (96)	3000/4000/5000K	> 80	1120lm	75 lm/w	120
8	CPS-F8S20-P18	SMD2835 (104)	3000/4000/5000K	> 80	1700lm	85 lm/w	120



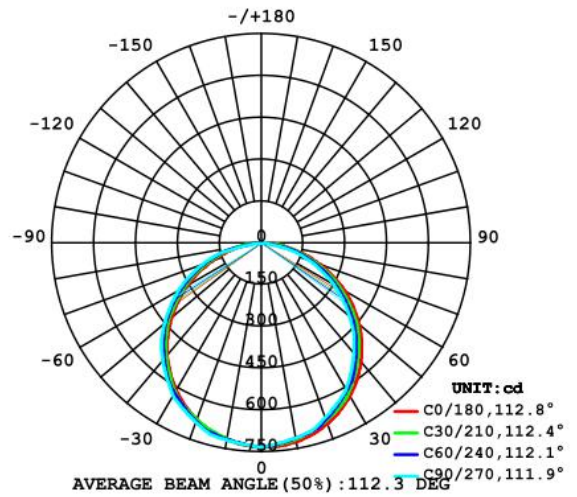
CPS-Y3S06-P18



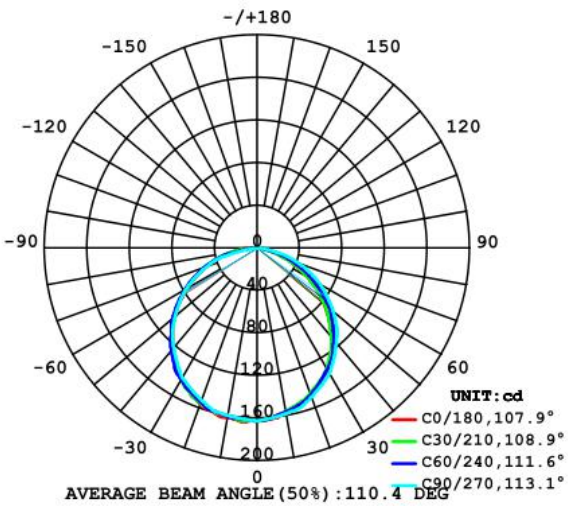
CPS-Y4S12-P18



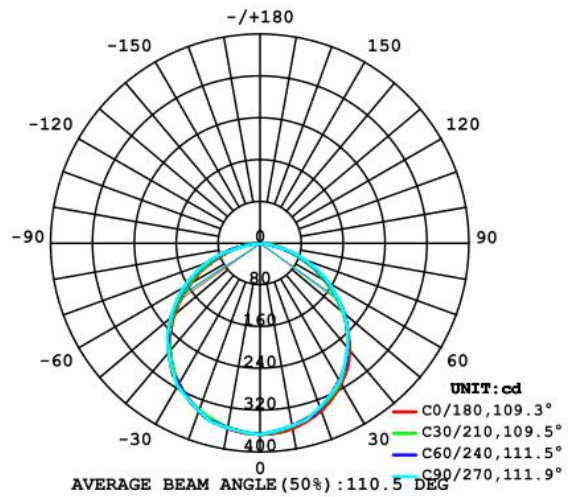
CPS-Y5S16-P18



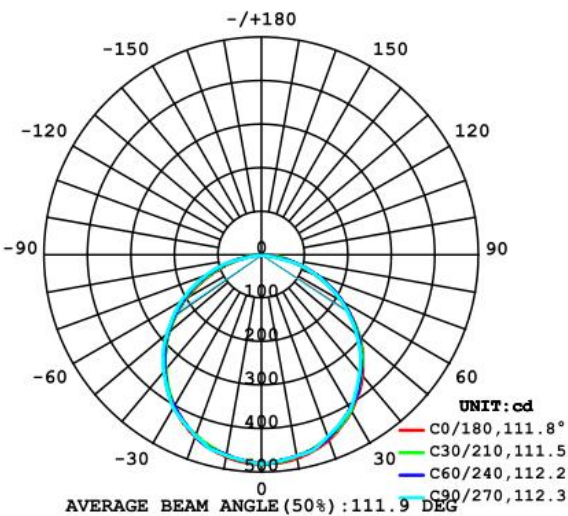
CPS-Y8S20-P18



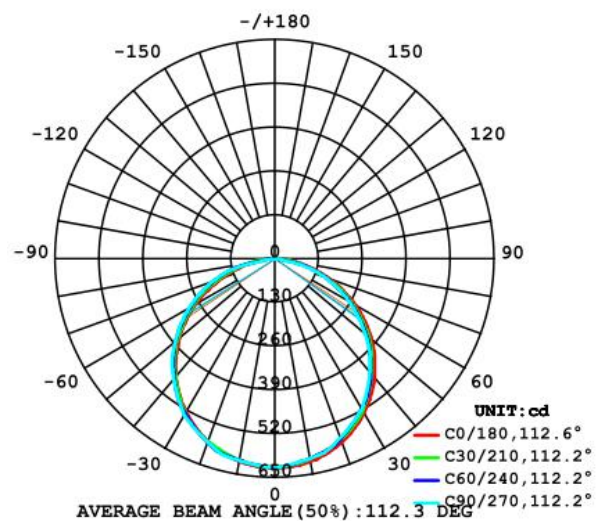
CPS-F3S06-P18



CPS-F4S12-P18



CPS-F5S16-P18



CPS-F8S20-P18

5. Product Technical Standards

1) Reliability Requirements

NO.	Test Item	Test condition/method	Verification and indicators	Remark
1	The low temperature low pressure start	1.-20℃ Power off more than 3 h 2.Use minimum voltage starting the product 3.1min on/5min off, More than 20 cycles 4.After low voltage normal light more than 1 hour	1.No obvious starting up lag 2.Working normally 3.Lumens depreciation less than 10%	Spot check
2	Switch machine test	1.Temperature 25±5℃, humidity is less than 60% 2.Rated voltage light 3.30S on/off, More than 15000 cycles	1.Working normally 2.Lumens depreciation less than 10%	Spot check
3	Hot and cold impact	1.Store in no electricity working state	1.Working normally	Spot check
		2.-20℃/1H, 80℃/1H, Conversion interval	2.Lumens depreciation less than 10%	
		3min, 15 cycles	3.Normal appearance structure	
4	Alternate hot and humid	1.25℃/95%RH, 11.5H	1.Working normally 2.Normal appearance structure	Spot check
		55℃/95%RH, 11.5H, Conversion interval		
		1H, 6 cycles		
		2.Every cycles 25℃ light 1H		
5	Luminous flux maintenance factor	1.Rated voltage, the conventional environmental temperature and humidity	1.Working normally	Spot check
		2.Record the initial luminous flux	2.maintenance rate	
		3.Every 1000 h hours test a luminous flux,	3000H ≥95.8%	
		For more than 6000 h	6000H ≥91.8%	

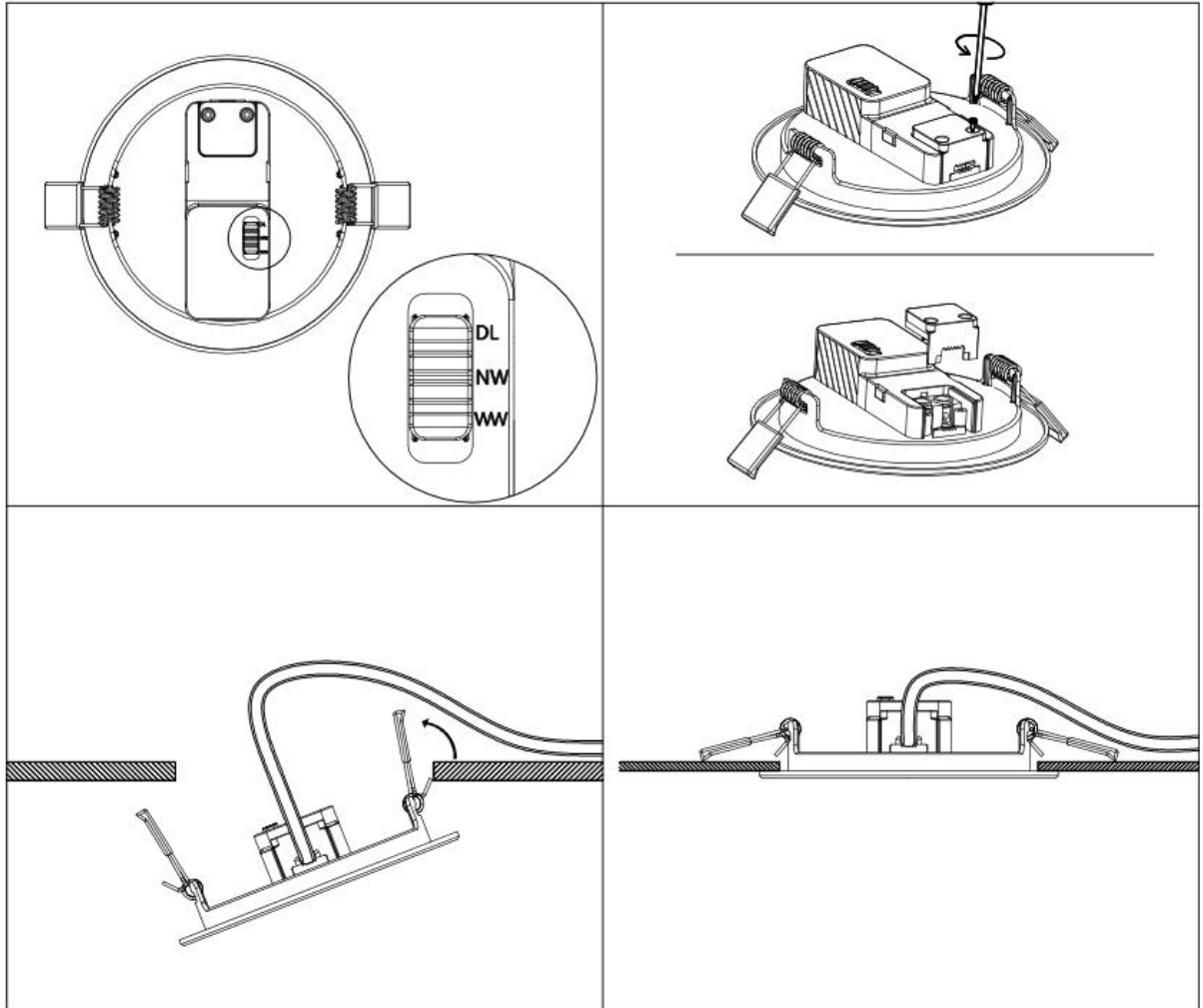
5.2 Point Temperature Test

No.	Position	1#		2#		3#	
		<u>4</u> H	<u>8</u> H	<u>4</u> H	<u>8</u> H	<u>4</u> H	<u>8</u> H
Highest Power	LED	86	89	84.9	88.5	84.6	89.3
	Heat sink	65.3	66	61	66	62.4	65.8
	Transformer	72.5	74	73.2	74.5	72.8	75.1
	PCB	76	77.6	75.2	76.4	75.8	77.1
Lowest Power	LED	83	85	80.9	84.5	82.6	85.3
	Heat sink	65.3	67.2	61	67.2	63.4	65.9
	Transformer	72.5	73.8	72.1	73.6	71.8	74.1
	PCB	72.1	74.9	73.2	73.4	74.8	76.1
Environment	Environment Temp: <u>35</u> °C Environment Humidity: <u>65</u> %						

5.3 Safety and EMI standard requirement

NO.	Test Item	Test condition/method	Verification and indicators	Remark
1	Mark(Name plate)	1.Use wet cloth mild scatch 15S 2.Use gasoline cloth mild scatch15S	1.Text clearly discernible 2.Labeling is not tilted, fall off	Type test
2	Static electricity	1.Contact (direct) discharge 4KV, Four faces 2.Air discharge (indirectly) 8KV	1.Performance decision level B 2.After finish working normally	Type test
3	Insulation resistance	1.48H humid 91-95% after dealing immediately testing 2.500VDC/1min/4MΩ	1.No breakdown alarm	Type test
4	Electric strength	1.48H humid 91-95% after dealing immediately testing 2.3000VAC/1min/5mA	1.No breakdown alarm	Type test
5	Conduction	1.In standard test room have no interference 2.Reference EN55015 standard	1.Test values shall not exceed the limit	Type test
6	Radiation	1.In standard test room have no interference 2.Reference EN55015CDN standard	1.Test values shall not exceed the limit	Type test
7	Surge	1. $\leq 25W$ L-N $\pm 0.5KV$ LN-PE $\pm 1KV$ 2. $> 25W$ L-N $\pm 1KV$ LN-PE $\pm 2KV$	1.Performance decision level B 2.After finish working normally	Type test

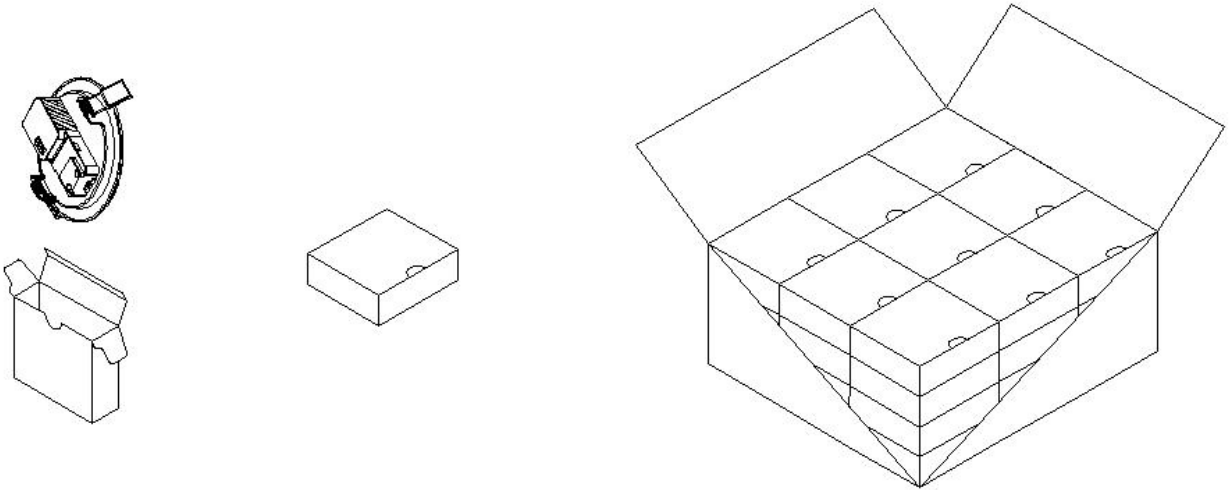
6. Installation & Connection



Steps:

1. Switch off the power.
2. Check the lamp and wires, Select the wanted CCT before installation.
4. Connect the "N" "L" wires to the driver
5. Push the spring clips and fix the lamp into the ceiling.
6. Turn on the light, check the even light output.

7. Packaging



No.	Model No.	Inner Box Size	Master Carton / PCS	N.W / PC	G.W / CTN
1	CPS-Y3S06-P18	146*130*48mm	605*540*215mm/64	120 G	11.8 KG
2	CPS-Y4S12-P18	178*160*48mm	555*500*215mm/36	160 G	9.3 KG
3	CPS-Y5S16-P18	212*202*48mm	650*625*215mm/36	220 G	12.4 KG
4	CPS-Y8S20-P18	269*265*48mm	555*545*215mm/16	370 G	9.3 KG
5	CPS-F3S06-P18	146*130*48mm	605*540*215mm/64	130 G	12.4 KG
6	CPS-F4S12-P18	178*160*48mm	555*500*215mm/36	180 G	9.9 KG
7	CPS-F5S16-P18	212*202*48mm	650*625*215mm/36	260 G	13.8 KG
8	CPS-F8S20-P18	269*265*48mm	555*545*215mm/16	450 G	10.4 KG

8. Attention

1) Environment

Operating Temp	0-40° C	Operating Humidity	0-90%
Storage Temp	0-60° C	Storage Humidity	0-60%

2) Warning

- If the lamp fails to work properly, please check whether the circuit connection is good.
- Please don't scrub the lamp with wet towel.
- Please don't install the lamp in damp, water leakage, unstable place.
- Please power off before install or remove.
- Please follow the normal installation.
- If there is any damage, please get professional maintenance (or after-sales service points).
- Do not disassembly the product personally.